

# Yazaki Quick Charge Connector



January 14, 2011

John Currie

Yazaki North America

High Voltage Business Division



# Contents

1. About Yazaki
2. DC Charge Coupler History
3. DC Charge Coupler (CHAdeMO type)
4. AC Charge Coupler (SAE J1772™)
5. Supply Chain
  - 5-1. Global Operation
  - 5-2. Sales Window Information
  - 5-3. Manufacturing
  - 5-4. Parts Number/Lead-Time

# 1. About Yazaki



	Japan	Europe Africa	Americas	Asia Oceania	Total
<b>Countries &amp; Regions</b>	1	19	8	11	39
<b>Locations</b>	249	45	68	56	418
<b>Employees</b>	22,000	25,300	48,600	91,000	186,900

## Corporate Policy

*A Corporation in Step with the World*

*A Corporation Needed by Society*



World hdqrs. in Shizuoka-Pref., Japan 3

# 1. About Yazaki

Yazaki Corporation is an independent automotive component maker founded in 1941. Best known for automotive wire harnesses, our core product for which we command a top share in the global market, we also develop and manufacture instrument clusters, electronic components and a host of other products for automotive use.



Wire Harness



High-Voltage Wire Harness



Instrument Cluster



Tachograph



Taxi Meter



# 1. About Yazaki

Yazaki also provides living environmental equipment, mostly to the Japanese domestic market.



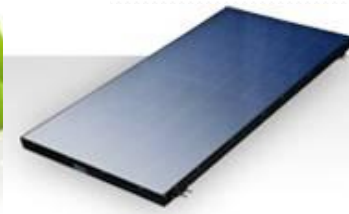
Wires



Gas Meter



AC Equipment



Solar System

# 2. DC Charge Coupler History

1990's

Since 1993

1<sup>st</sup> Edition



CHAdeMO



DC600V,150A

2009

2<sup>nd</sup> Edition



CHAdeMO



DC600V,150A

2010

New Version



CHAdeMO



DC500V,120A

August 2010  
Certification



# 3. DC Charge Coupler

1. Rated Current and Voltage: DC120A, DC500V
2. Temperature Range: -40 to +60°C
3. Lever assisted insertion
4. Capable of 10,000 mating cycles
5. Terminals are finger-proof to prevent contact
6. Survives Vehicle Drive-over testing
7. Conforms to the UL2251



**CHAdeMO**

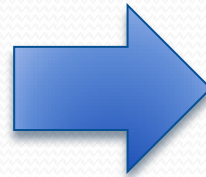


# 3-1. Robust Body

Previous



Aluminum Case

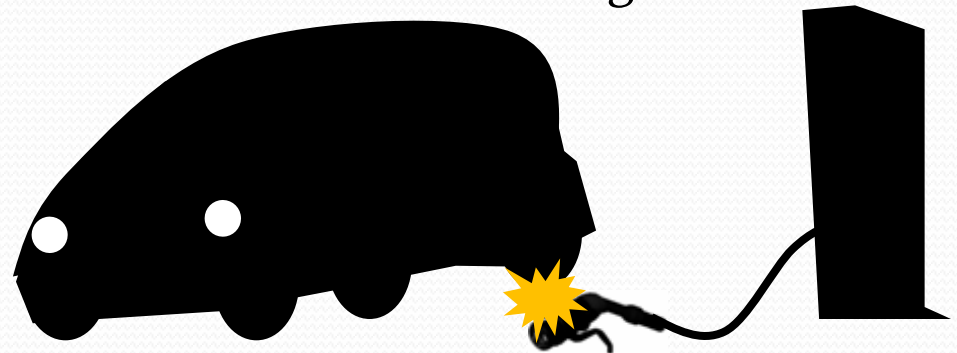


New



Plastic Housing

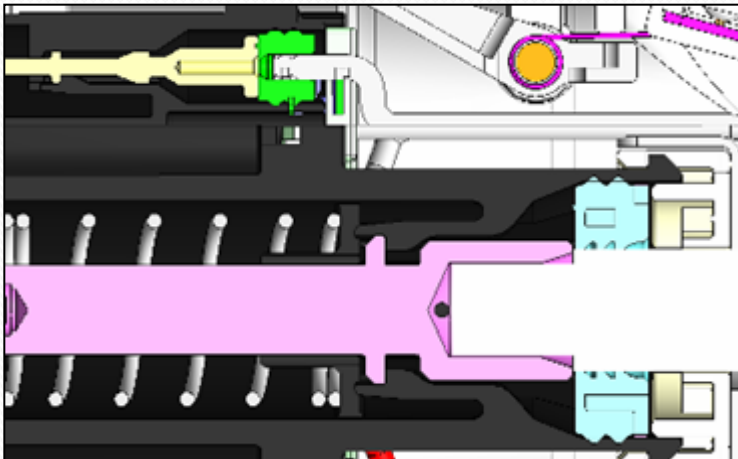
We have passed the Vehicle  
Drive-over test!



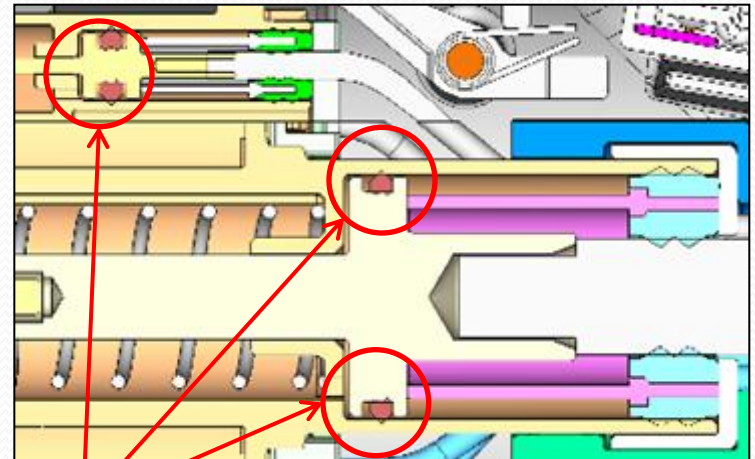


# 3-2. Waterproof

Previous



New



Seal

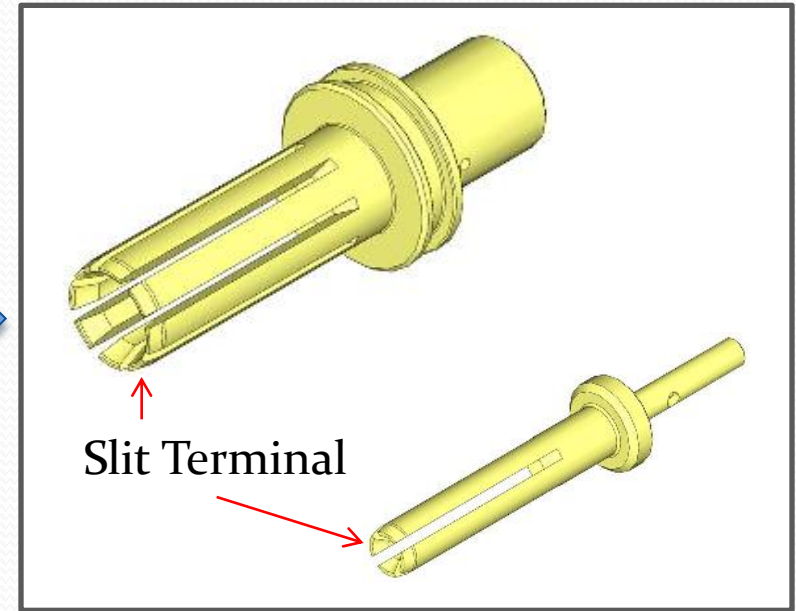
Prevents water entry into terminal crimping area.

# 3-3. New Connection Systems

Previous



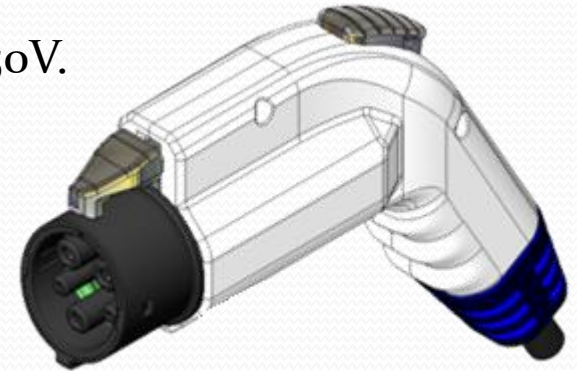
New



- Removal of contamination
- Prevents increase in insertion force

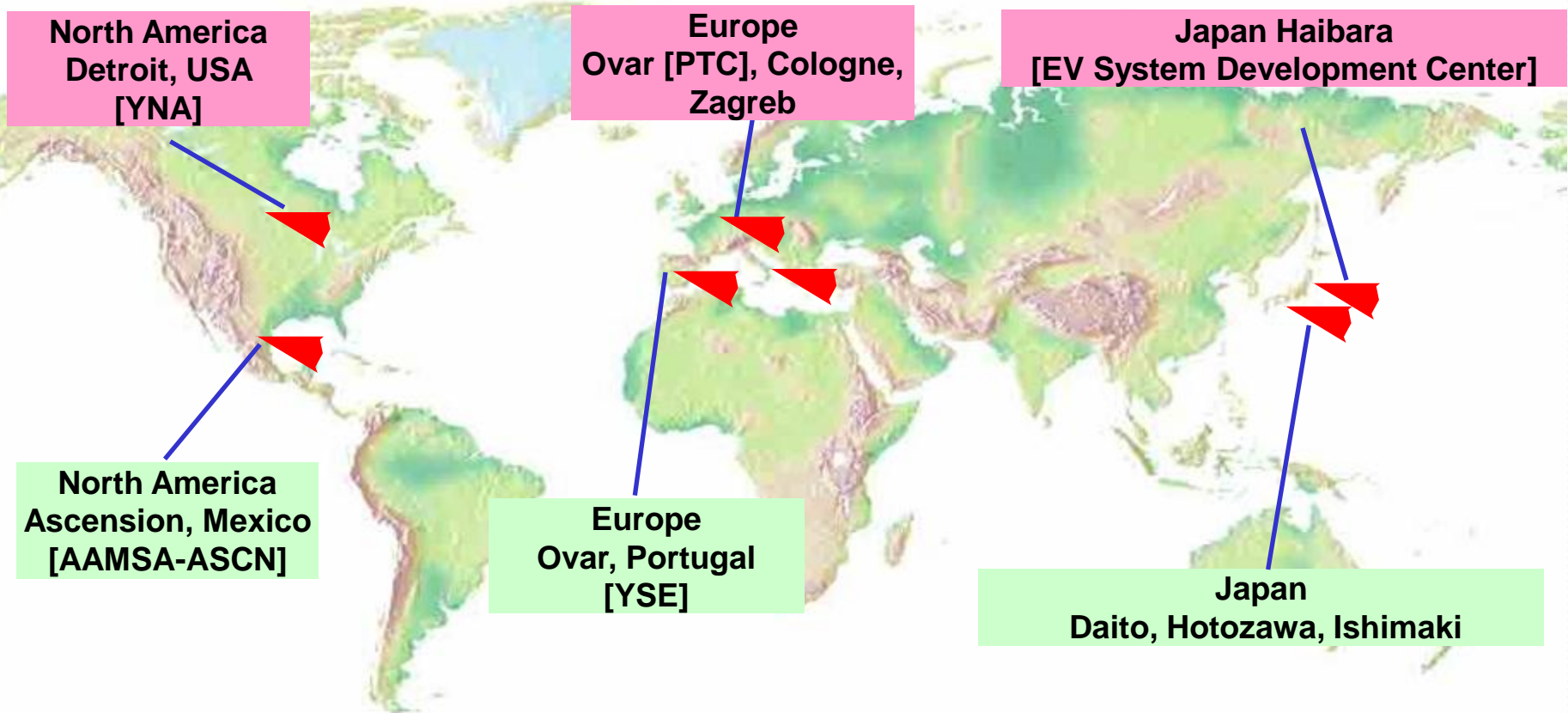
# 4. AC Charge Coupler

1. Rated Current and Voltage: AC20A~30A ,AC100~250V.
2. Temperature Range -40 to +60°C
3. Mating effort is less than 70N
4. Capable of 10,000 mating cycles
5. Terminals are finger-proof to prevent contact
6. No functional damage after Vehicle Drive-over testing
7. Conforms to the SAE J1772™ and UL2251



# 5. Supply Chain

## 5-1. Global Operation



# 5. Supply Chain

## 5-2. Sales Window Information

### **Josh Dawson**

Account Manager

- HEV Sales

Yazaki North America, Inc.  
Components Business Unit  
6801 Haggerty Road, 2471W  
Canton, MI 48187

Phone: 734-983-2650

[Joshua.Dawson@us.yazaki.com](mailto:Joshua.Dawson@us.yazaki.com)

### **Mike Rockafellow**

Senior Manager

-HEV Sales

Yazaki North America, Inc.  
Components Business Unit  
6801 Haggerty Road, 2454W  
Canton, MI 48187

Phone: 734-983-4312

[Mike.Rockafellow@us.yazaki.com](mailto:Mike.Rockafellow@us.yazaki.com)

# 5. Supply Chain

## 5-3. Manufacturing

AC Coupler SAE J1772™:

Localization to North America (Mexico) Began December 2010

DC Charge Coupler Inlet, CHAdeMO type:

Localization to Mexico in 2012 pending North American demand trends

DC Charge Coupler Infra Connector, CHAdeMO type:

Produced in Hotozawa, Japan. No plans to localize production at this time.

# 5. Supply Chain

## Manufacturing Capabilities: Hotozawa, Japan (HTZ)

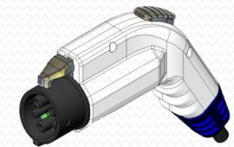
- Established in August, 1996.
- Employees: 134
- EV Business Division
  - Data Management
  - CAD Systems
  - Component Design
  - Manufacturing Engineering
- Wire Harness Manufacturing
- Components Manufacturing



Automotive Wiring Harness



CHAdeMO DC Fast Charger



J1772™ Charge Coupler



Optical Cable Wire Harness

# 5. Supply Chain

Manufacturing Capabilities:

Autopartes y Arneses de Mexico S.A. de c.v., Ascension ( AAMSA-ASCN)

- Employees: 744
- Wire Harness Manufacturing
- Components Manufacturing



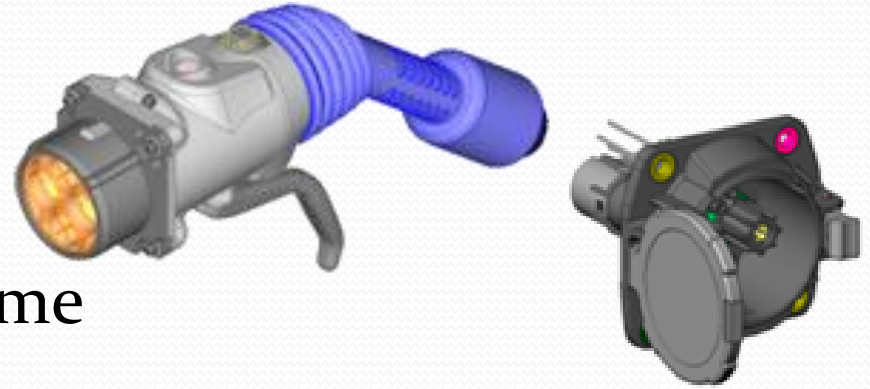
1-Phase Charge Coupler Inlet



High Voltage Harnesses



# 5. Supply Chain



## 5-4. Parts Number / Lead-Time

### Continuous Stock at YNA

Version	Gender	P/N	Current	wire length	Market	Stocked Quantity
JEVS G105 - DC Quick Charge Coupler - New version	Inlet - cap left	X1DT0028	120A	3 m	US market	10
	Infra	7335-8922-3R	120A	15 ft	US market	10
	Infra	7335-8923-3R	120A	20 ft	US market	10
	Infra	7335-8924-3R	120A	25 ft	US market	10

# 5. Supply Chain

## Parts Available For Order W/ Lead Time

P/N	Gender	Current	Wire Length	Wire Spec / Wire Size	Specification
<b>JEVS G105 - DC Quick Charge Coupler - New version</b>					
X1DT0027	Inlet - cap left		1 m	40 sqmm	UL/CE
X1DT0028	Inlet - cap left		3 m	40 sqmm	UL/CE
X1DT0029	Inlet - cap left		5 m	40 sqmm	UL/CE
X1DT0030	Inlet - cap right		1 m	40 sqmm	UL/CE
X1DT0031	Inlet - cap right		3 m	40 sqmm	UL/CE
X1DT0032	Inlet - cap right		5 m	40 sqmm	UL/CE
7335-8922-3R	Infra	120A	15feet	2 AWG	UL-Mark
7335-8923-3R	Infra	120A	20feet	2 AWG	UL-Mark
7335-8924-3R	Infra	120A	25feet	2 AWG	UL-Mark
7335-8925-3R	Infra	120A	4 m	35 sqmm	CE-Mark
7335-8926-3R	Infra	120A	6 m	35 sqmm	CE-Mark
7335-8927-3R	Infra	120A	8 m	35 sqmm	CE-Mark
7335-8928-3R	Infra	120A	10 m	35 sqmm	CE-Mark

# 5. Supply Chain

## 5-4. Part Number / Lead-Time

- Lead time to supply the DC Quick Charger without a confirmed forecast: 8 weeks
- To shorten the lead time to 4 weeks we need:
  - A confirmed forecast from the customer of a minimum 12-week period, or a contract to build dedicated safety stock

# For More Information:

DC Charge Coupler Connector Datasheet:

[www.yazaki-na.com/uploads/DC Charge Coupler Connector.pdf](http://www.yazaki-na.com/uploads/DC%20Charge%20Coupler%20Connector.pdf)

DC Charge Coupler Inlet Datasheet:

[www.yazaki-na.com/uploads/DC Charge Coupler Inlet.pdf](http://www.yazaki-na.com/uploads/DC%20Charge%20Coupler%20Inlet.pdf)

Corporate Charge Coupler Information Site:

<http://charge.yazaki-group.com>

*Thank you for your attention!*